

Spare parts listBosch Rexroth AG
Service Hydraulics
An den Kelterwiesen 14
72160 Horb
Germany
+49 (0)7451/92-1207Part No.: R910940516
Drawing no.: R910926402
Designation: A A10VSO 18 DR /31R-PKC62N00

Status of version: 7/2015

Date: 29.09.2015**Page: 1**

Pos.	Part No.	Designation	Quantity	
1	R910940440	G A10VSO 18 OV /31R-PKC62N00	1 ST	L
2	R902453112	DRVA10-280+-1	1 ST	L

L = Assembly group D = Sealing element

Security notice

Assembly, commissioning and operation, disassembly, service (including maintenance and repair) require basic mechanical/electrical/hydraulic/pneumatic knowledge, as well as knowledge of the appropriate technical terms. In order to ensure operating safety, these activities may therefore only be carried out by qualified technical personnel or an instructed person under the direction and supervision of qualified personnel. Qualified personnel are those who can recognize possible hazards and institute the appropriate safety measures due to their professional training, knowledge, and experience, as well as their understanding of the relevant conditions pertaining to the work to be done. Qualified personnel must observe the rules relevant to the subject area. Also observe the generally applicable, legal or otherwise binding regulations of the European or national legislation and the rules for the prevention of accidents and for environmental protection applicable in your country. The data specified above only serve to describe the product. No statements concerning a certain condition or suitability for a certain application can be derived from our information. The given information does not release the user from the obligation of own judgement and verification. It must be remembered that our products are subject to a natural process of wear and aging.

©This document, as well as the data, specifications and other information set forth in it, are the exclusive property of Bosch Rexroth AG. Without their consent it may not be reproduced or given to third parties.

Spare parts list

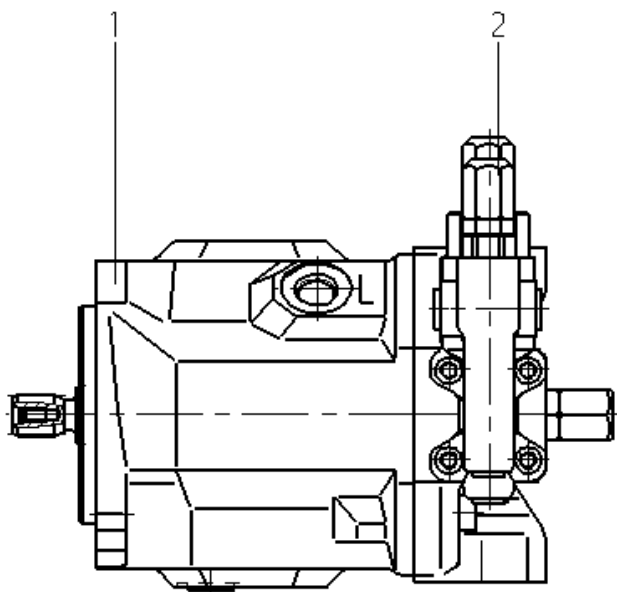
Part No.: R910940516
Drawing no.: R910926402
Designation: A A10VSO 18 DR /31R-PKC62N00

Bosch Rexroth AG
Service Hydraulics
An den Kelterwiesen 14
72160 Horb
Germany
+49 (0)7451/92-1207

Status of version: 7/2015

Date: 29.09.2015

Page: 2



L = Assembly group D = Sealing element

Security notice

Assembly, commissioning and operation, disassembly, service (including maintenance and repair) require basic mechanical/electrical/hydraulic/pneumatic knowledge, as well as knowledge of the appropriate technical terms. In order to ensure operating safety, these activities may therefore only be carried out by qualified technical personnel or an instructed person under the direction and supervision of qualified personnel. Qualified personnel are those who can recognize possible hazards and institute the appropriate safety measures due to their professional training, knowledge, and experience, as well as their understanding of the relevant conditions pertaining to the work to be done. Qualified personnel must observe the rules relevant to the subject area. Also observe the generally applicable, legal or otherwise binding regulations of the European or national legislation and the rules for the prevention of accidents and for environmental protection applicable in your country. The data specified above only serve to describe the product. No statements concerning a certain condition or suitability for a certain application can be derived from our information. The given information does not release the user from the obligation of own judgement and verification. It must be remembered that our products are subject to a natural process of wear and aging.

©This document, as well as the data, specifications and other information set forth in it, are the exclusive property of Bosch Rexroth AG. Without their consent it may not be reproduced or given to third parties.

Spare parts list

Bosch Rexroth AG
Service Hydraulics
An den Kelterwiesen 14
72160 Horb
Germany
+49 (0)7451/92-1207

Part No.: R910940440
Drawing no.: R910940754
Designation: G A10VSO 18 OV /31R-PKC62N00

Status of version: 7/2015

Date: 29.09.2015

Page: 3

Pos.	Part No.	Designation	Quantity	
1	R910940435	TW A10V 18 /31R	1 ST	L
2	R902538170	VERSTELLTEIL A10V 18/31 MA -V	1 ST	L
5	R910925613	PUMP HOUSING	1 ST	
6	R910940752	PORT PLATE	1 ST	
7	R910960809	SWASHPLATE	1 ST	
8	R902413731	DRIVE SHAFT	1 ST	
9	R910930528	SHAFT KEY	1 ST	
12	R902400729	ADJUSTMENT SHIM	1 ST	
15	R910704954	TAPERED-ROLLER BEARING	1 ST	
16	R909086994	TAPERED-ROLLER BEARING	1 ST	
17	R910925266	BEARING-LINER	2 ST	
20	R910900853	SHAFT SEAL RING	1 ST	D

L = Assembly group D = Sealing element

Security notice

Assembly, commissioning and operation, disassembly, service (including maintenance and repair) require basic mechanical/electrical/hydraulic/pneumatic knowledge, as well as knowledge of the appropriate technical terms. In order to ensure operating safety, these activities may therefore only be carried out by qualified technical personnel or an instructed person under the direction and supervision of qualified personnel. Qualified personnel are those who can recognize possible hazards and institute the appropriate safety measures due to their professional training, knowledge, and experience, as well as their understanding of the relevant conditions pertaining to the work to be done. Qualified personnel must observe the rules relevant to the subject area. Also observe the generally applicable, legal or otherwise binding regulations of the European or national legislation and the rules for the prevention of accidents and for environmental protection applicable in your country. The data specified above only serve to describe the product. No statements concerning a certain condition or suitability for a certain application can be derived from our information. The given information does not release the user from the obligation of own judgement and verification. It must be remembered that our products are subject to a natural process of wear and aging.

©This document, as well as the data, specifications and other information set forth in it, are the exclusive property of Bosch Rexroth AG. Without their consent it may not be reproduced or given to third parties.

Spare parts list

Bosch Rexroth AG
Service Hydraulics
An den Kelterwiesen 14
72160 Horb
Germany
+49 (0)7451/92-1207

Part No.: R910940440
Drawing no.: R910940754
Designation: G A10VSO 18 OV /31R-PKC62N00

Status of version: 7/2015

Date: 29.09.2015

Page: 4

22	R910926045	O-RING	1 ST	D
23	R910102059	O-RING	4 ST	D
25	R902403815	RETAINING RING	1 ST	
27	R910231991	SOCKET-HEAD SCREW	4 ST	
28	R909153364	LOCKING SCREW	1 ST	D
30	R910825034	VERSCHLUSSSCHRAUBE N02.106-9/16-18UNF-2&	1 ST	D
31	R909831318	DOUBLE BREAK-OFF PLUG	1 ST	D
33	R910277193	CYLINDER PIN	1 ST	

L = Assembly group D = Sealing element

Security notice

Assembly, commissioning and operation, disassembly, service (including maintenance and repair) require basic mechanical/electrical/hydraulic/pneumatic knowledge, as well as knowledge of the appropriate technical terms. In order to ensure operating safety, these activities may therefore only be carried out by qualified technical personnel or an instructed person under the direction and supervision of qualified personnel. Qualified personnel are those who can recognize possible hazards and institute the appropriate safety measures due to their professional training, knowledge, and experience, as well as their understanding of the relevant conditions pertaining to the work to be done. Qualified personnel must observe the rules relevant to the subject area. Also observe the generally applicable, legal or otherwise binding regulations of the European or national legislation and the rules for the prevention of accidents and for environmental protection applicable in your country. The data specified above only serve to describe the product. No statements concerning a certain condition or suitability for a certain application can be derived from our information. The given information does not release the user from the obligation of own judgement and verification. It must be remembered that our products are subject to a natural process of wear and aging.

©This document, as well as the data, specifications and other information set forth in it, are the exclusive property of Bosch Rexroth AG. Without their consent it may not be reproduced or given to third parties.

Spare parts list

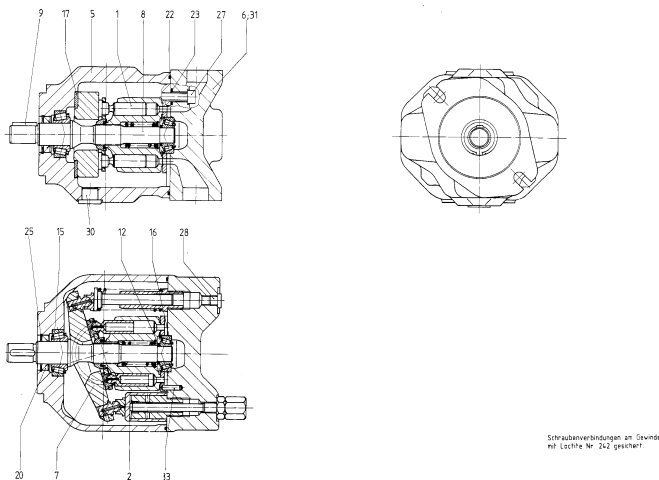
Part No.: R910940440
Drawing no.: R910940754
Designation: G A10VSO 18 OV /31R-PKC62N00

Bosch Rexroth AG
Service Hydraulics
An den Kelterwiesen 14
72160 Horb
Germany
+49 (0)7451/92-1207

Status of version: 7/2015

Date: 29.09.2015

Page: 5



L = Assembly group D = Sealing element

Security notice

Assembly, commissioning and operation, disassembly, service (including maintenance and repair) require basic mechanical/electrical/hydraulic/pneumatic knowledge, as well as knowledge of the appropriate technical terms. In order to ensure operating safety, these activities may therefore only be carried out by qualified technical personnel or an instructed person under the direction and supervision of qualified personnel. Qualified personnel are those who can recognize possible hazards and institute the appropriate safety measures due to their professional training, knowledge, and experience, as well as their understanding of the relevant conditions pertaining to the work to be done. Qualified personnel must observe the rules relevant to the subject area. Also observe the generally applicable, legal or otherwise binding regulations of the European or national legislation and the rules for the prevention of accidents and for environmental protection applicable in your country. The data specified above only serve to describe the product. No statements concerning a certain condition or suitability for a certain application can be derived from our information. The given information does not release the user from the obligation of own judgement and verification. It must be remembered that our products are subject to a natural process of wear and aging.

©This document, as well as the data, specifications and other information set forth in it, are the exclusive property of Bosch Rexroth AG. Without their consent it may not be reproduced or given to third parties.

Firmensitz / Headquarters: Stuttgart, Registrierung / Registration: Amtsgericht Stuttgart HRB 23192

Vorstand / Executive Board: Dr. Karl Tragl (Vorsitzender / President), Dr. Markus Forschner; Dr. Steffen Haack; Dr. Bertram Hoffmann

Vorsitzender des Aufsichtsrats / Chairman of the Supervisory Board: Dr. Werner Struth

Spare parts list

Bosch Rexroth AG
Service Hydraulics
An den Kelterwiesen 14
72160 Horb
Germany
+49 (0)7451/92-1207

Part No.: R910940435
Drawing no.: R910934825
Designation: TW A10V 18 /31R

Status of version: 7/2015

Date: 29.09.2015

Page: 6

Pos.	Part No.	Designation	Quantity	
1	R910997895	TW A10V 18/31	1 ST	L
2	R902451654	CONTROL PLATE	1 ST	

L = Assembly group D = Sealing element

Security notice

Assembly, commissioning and operation, disassembly, service (including maintenance and repair) require basic mechanical/electrical/hydraulic/pneumatic knowledge, as well as knowledge of the appropriate technical terms. In order to ensure operating safety, these activities may therefore only be carried out by qualified technical personnel or an instructed person under the direction and supervision of qualified personnel. Qualified personnel are those who can recognize possible hazards and institute the appropriate safety measures due to their professional training, knowledge, and experience, as well as their understanding of the relevant conditions pertaining to the work to be done. Qualified personnel must observe the rules relevant to the subject area. Also observe the generally applicable, legal or otherwise binding regulations of the European or national legislation and the rules for the prevention of accidents and for environmental protection applicable in your country. The data specified above only serve to describe the product. No statements concerning a certain condition or suitability for a certain application can be derived from our information. The given information does not release the user from the obligation of own judgement and verification. It must be remembered that our products are subject to a natural process of wear and aging.

©This document, as well as the data, specifications and other information set forth in it, are the exclusive property of Bosch Rexroth AG. Without their consent it may not be reproduced or given to third parties.

Spare parts list

Part No.: R910940435
Drawing no.: R910934825
Designation: TW A10V 18 /31R

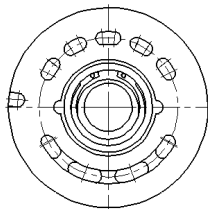
Bosch Rexroth AG
Service Hydraulics
An den Kelterwiesen 14
72160 Horb
Germany
+49 (0)7451/92-1207

Status of version: 7/2015

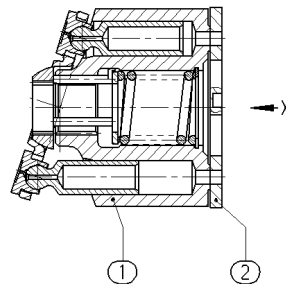
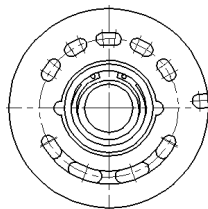
Date: 29.09.2015

Page: 7

Ansicht X
Drehrichtung "RECHTS"



Ansicht X
Drehrichtung "LINKS"



L = Assembly group D = Sealing element

Security notice

Assembly, commissioning and operation, disassembly, service (including maintenance and repair) require basic mechanical/electrical/hydraulic/pneumatic knowledge, as well as knowledge of the appropriate technical terms. In order to ensure operating safety, these activities may therefore only be carried out by qualified technical personnel or an instructed person under the direction and supervision of qualified personnel. Qualified personnel are those who can recognize possible hazards and institute the appropriate safety measures due to their professional training, knowledge, and experience, as well as their understanding of the relevant conditions pertaining to the work to be done. Qualified personnel must observe the rules relevant to the subject area. Also observe the generally applicable, legal or otherwise binding regulations of the European or national legislation and the rules for the prevention of accidents and for environmental protection applicable in your country. The data specified above only serve to describe the product. No statements concerning a certain condition or suitability for a certain application can be derived from our information. The given information does not release the user from the obligation of own judgement and verification. It must be remembered that our products are subject to a natural process of wear and aging.

©This document, as well as the data, specifications and other information set forth in it, are the exclusive property of Bosch Rexroth AG. Without their consent it may not be reproduced or given to third parties.

Spare parts list

Part No.: R910997895
Drawing no.: R910997896
Designation: TW A10V 18/31

Bosch Rexroth AG
Service Hydraulics
An den Kelterwiesen 14
72160 Horb
Germany
+49 (0)7451/92-1207

Status of version: 7/2015

Date: 29.09.2015

Page: 8

Pos.	Part No.	Designation	Quantity
1	R902425493	PISTON	9 ST
2	R910940734	CYLINDER	1 ST
4	R902443840	RETAINING PLATE	1 ST
6	R902443448	RETAINING BALL	1 ST
7	R910933409	SPRING	1 ST
9	R910934826	PRESSURE PIN	3 ST
10	R909156163	SEEGER-V-RING	1 ST
11	R910934827	BACK-UP PLATE	1 ST

L = Assembly group D = Sealing element

Security notice

Assembly, commissioning and operation, disassembly, service (including maintenance and repair) require basic mechanical/electrical/hydraulic/pneumatic knowledge, as well as knowledge of the appropriate technical terms. In order to ensure operating safety, these activities may therefore only be carried out by qualified technical personnel or an instructed person under the direction and supervision of qualified personnel. Qualified personnel are those who can recognize possible hazards and institute the appropriate safety measures due to their professional training, knowledge, and experience, as well as their understanding of the relevant conditions pertaining to the work to be done. Qualified personnel must observe the rules relevant to the subject area. Also observe the generally applicable, legal or otherwise binding regulations of the European or national legislation and the rules for the prevention of accidents and for environmental protection applicable in your country. The data specified above only serve to describe the product. No statements concerning a certain condition or suitability for a certain application can be derived from our information. The given information does not release the user from the obligation of own judgement and verification. It must be remembered that our products are subject to a natural process of wear and aging.

©This document, as well as the data, specifications and other information set forth in it, are the exclusive property of Bosch Rexroth AG. Without their consent it may not be reproduced or given to third parties.

Spare parts list

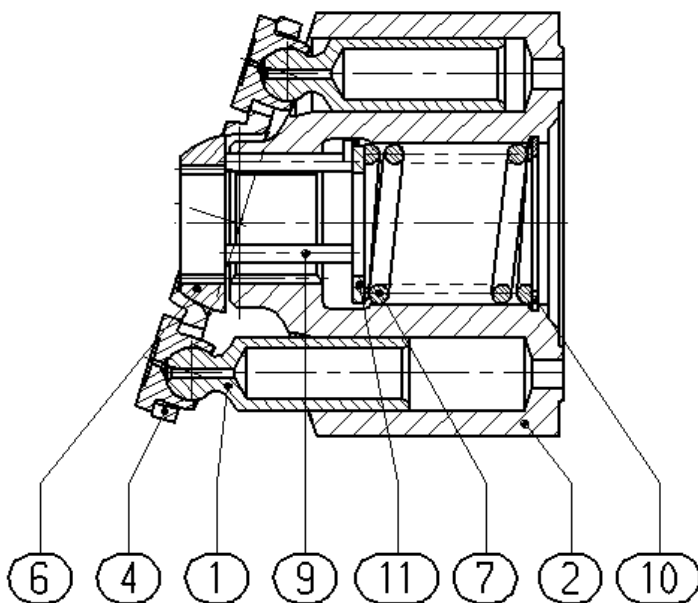
Part No.: R910997895
Drawing no.: R910997896
Designation: TW A10V 18/31

Bosch Rexroth AG
Service Hydraulics
An den Kelterwiesen 14
72160 Horb
Germany
+49 (0)7451/92-1207

Status of version: 7/2015

Date: 29.09.2015

Page: 9



L = Assembly group D = Sealing element

Security notice

Assembly, commissioning and operation, disassembly, service (including maintenance and repair) require basic mechanical/electrical/hydraulic/pneumatic knowledge, as well as knowledge of the appropriate technical terms. In order to ensure operating safety, these activities may therefore only be carried out by qualified technical personnel or an instructed person under the direction and supervision of qualified personnel. Qualified personnel are those who can recognize possible hazards and institute the appropriate safety measures due to their professional training, knowledge, and experience, as well as their understanding of the relevant conditions pertaining to the work to be done. Qualified personnel must observe the rules relevant to the subject area. Also observe the generally applicable, legal or otherwise binding regulations of the European or national legislation and the rules for the prevention of accidents and for environmental protection applicable in your country. The data specified above only serve to describe the product. No statements concerning a certain condition or suitability for a certain application can be derived from our information. The given information does not release the user from the obligation of own judgement and verification. It must be remembered that our products are subject to a natural process of wear and aging.

©This document, as well as the data, specifications and other information set forth in it, are the exclusive property of Bosch Rexroth AG. Without their consent it may not be reproduced or given to third parties.

Spare parts listBosch Rexroth AG
Service Hydraulics
An den Kelterwiesen 14
72160 Horb
Germany
+49 (0)7451/92-1207Part No.: R902538170
Drawing no.: R910940416
Designation: VERSTELLTEIL A10V 18/31 MA -V

Status of version: 7/2015

Date: 29.09.2015**Page: 10**

Pos.	Part No.	Designation	Quantity
1	R910940417	CONTROL PISTON	1 ST
2	R902533323	KOLBENFUEHRUNG V A10V 18	1 ST
3	R910947500	OPPOSED PISTON	1 ST
4	R910940419	PISTON GUIDE	1 ST
6	R910908962	SPRING	1 ST
7	R902538214	ANSCHLAGSCHRAUBE A10V 18 VGMAX -V	1 ST

L = Assembly group D = Sealing element

Security notice

Assembly, commissioning and operation, disassembly, service (including maintenance and repair) require basic mechanical/electrical/hydraulic/pneumatic knowledge, as well as knowledge of the appropriate technical terms. In order to ensure operating safety, these activities may therefore only be carried out by qualified technical personnel or an instructed person under the direction and supervision of qualified personnel. Qualified personnel are those who can recognize possible hazards and institute the appropriate safety measures due to their professional training, knowledge, and experience, as well as their understanding of the relevant conditions pertaining to the work to be done. Qualified personnel must observe the rules relevant to the subject area. Also observe the generally applicable, legal or otherwise binding regulations of the European or national legislation and the rules for the prevention of accidents and for environmental protection applicable in your country. The data specified above only serve to describe the product. No statements concerning a certain condition or suitability for a certain application can be derived from our information. The given information does not release the user from the obligation of own judgement and verification. It must be remembered that our products are subject to a natural process of wear and aging.

©This document, as well as the data, specifications and other information set forth in it, are the exclusive property of Bosch Rexroth AG. Without their consent it may not be reproduced or given to third parties.

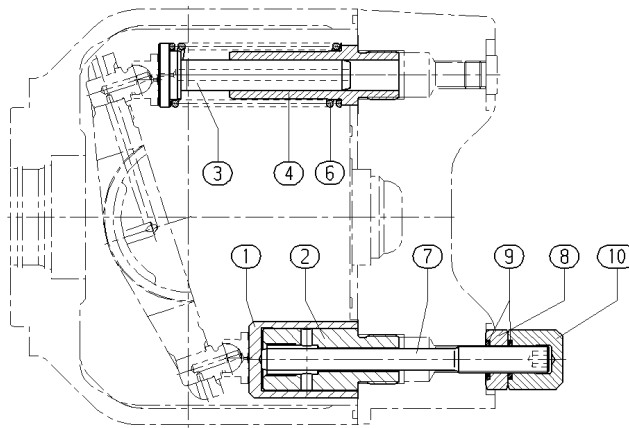
Spare parts list

Part No.: R902538170
Drawing no.: R910940416
Designation: VERSTELLTEIL A10V 18/31 MA -V

Bosch Rexroth AG
Service Hydraulics
An den Kelterwiesen 14
72160 Horb
Germany
+49 (0)7451/92-1207

Status of version: 7/2015

Date: 29.09.2015
Page: 11



Anziehdrehmoment für Position 2 und 4
 $M_A = 80 \text{ Nm}$

Pos. 2; 4 am Gewinde mit Loctite Nr. 242
gesichert!

L = Assembly group D = Sealing element

Security notice

Assembly, commissioning and operation, disassembly, service (including maintenance and repair) require basic mechanical/electrical/hydraulic/pneumatic knowledge, as well as knowledge of the appropriate technical terms. In order to ensure operating safety, these activities may therefore only be carried out by qualified technical personnel or an instructed person under the direction and supervision of qualified personnel. Qualified personnel are those who can recognize possible hazards and institute the appropriate safety measures due to their professional training, knowledge, and experience, as well as their understanding of the relevant conditions pertaining to the work to be done. Qualified personnel must observe the rules relevant to the subject area. Also observe the generally applicable, legal or otherwise binding regulations of the European or national legislation and the rules for the prevention of accidents and for environmental protection applicable in your country. The data specified above only serve to describe the product. No statements concerning a certain condition or suitability for a certain application can be derived from our information. The given information does not release the user from the obligation of own judgement and verification. It must be remembered that our products are subject to a natural process of wear and aging.

©This document, as well as the data, specifications and other information set forth in it, are the exclusive property of Bosch Rexroth AG. Without their consent it may not be reproduced or given to third parties.

Spare parts list

Bosch Rexroth AG
Service Hydraulics
An den Kelterwiesen 14
72160 Horb
Germany
+49 (0)7451/92-1207

Part No.: R902453112
Drawing no.: R902453111
Designation: DRVA10-280+-1

Status of version: 7/2015

Date: 29.09.2015

Page: 12

Pos.	Part No.	Designation	Quantity	
1	R902453110	CONTROL VALVE	1 ST	
2	R902434482	GASKET	1 ST	D
3	R910900443	SOCKET-HEAD SCREW	4 ST	D

L = Assembly group D = Sealing element

Security notice

Assembly, commissioning and operation, disassembly, service (including maintenance and repair) require basic mechanical/electrical/hydraulic/pneumatic knowledge, as well as knowledge of the appropriate technical terms. In order to ensure operating safety, these activities may therefore only be carried out by qualified technical personnel or an instructed person under the direction and supervision of qualified personnel. Qualified personnel are those who can recognize possible hazards and institute the appropriate safety measures due to their professional training, knowledge, and experience, as well as their understanding of the relevant conditions pertaining to the work to be done. Qualified personnel must observe the rules relevant to the subject area. Also observe the generally applicable, legal or otherwise binding regulations of the European or national legislation and the rules for the prevention of accidents and for environmental protection applicable in your country. The data specified above only serve to describe the product. No statements concerning a certain condition or suitability for a certain application can be derived from our information. The given information does not release the user from the obligation of own judgement and verification. It must be remembered that our products are subject to a natural process of wear and aging.

©This document, as well as the data, specifications and other information set forth in it, are the exclusive property of Bosch Rexroth AG. Without their consent it may not be reproduced or given to third parties.

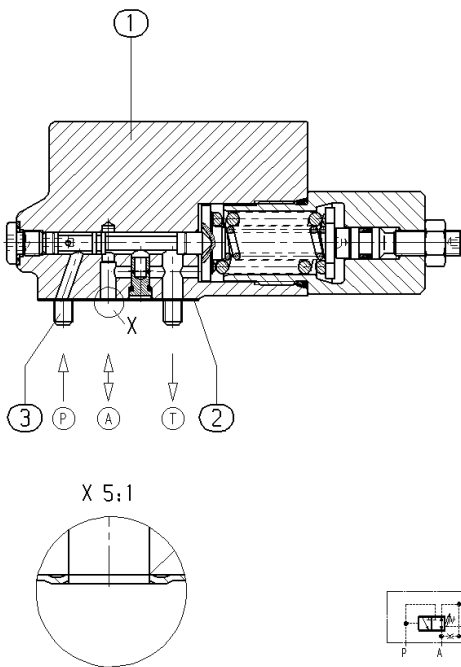
Spare parts list

Part No.: R902453112
 Drawing no.: R902453111
 Designation: DRVA10-280+-1

Bosch Rexroth AG
 Service Hydraulics
 An den Kelterwiesen 14
 72160 Horb
 Germany
 +49 (0)7451/92-1207

Status of version: 7/2015

Date: 29.09.2015
 Page: 13



L = Assembly group D = Sealing element

Security notice

Assembly, commissioning and operation, disassembly, service (including maintenance and repair) require basic mechanical/electrical/hydraulic/pneumatic knowledge, as well as knowledge of the appropriate technical terms. In order to ensure operating safety, these activities may therefore only be carried out by qualified technical personnel or an instructed person under the direction and supervision of qualified personnel. Qualified personnel are those who can recognize possible hazards and institute the appropriate safety measures due to their professional training, knowledge, and experience, as well as their understanding of the relevant conditions pertaining to the work to be done. Qualified personnel must observe the rules relevant to the subject area. Also observe the generally applicable, legal or otherwise binding regulations of the European or national legislation and the rules for the prevention of accidents and for environmental protection applicable in your country. The data specified above only serve to describe the product. No statements concerning a certain condition or suitability for a certain application can be derived from our information. The given information does not release the user from the obligation of own judgement and verification. It must be remembered that our products are subject to a natural process of wear and aging.

©This document, as well as the data, specifications and other information set forth in it, are the exclusive property of Bosch Rexroth AG. Without their consent it may not be reproduced or given to third parties.